

# Riding the Bus Safely

## Rules to follow when riding the bus

Every 4J School bus has a list of rules for all riders posted where they can be read.

Presented here is a simplified list of things that are important to remember when riding one of our 4J buses:



• Athletic Trips • Field Trips • Home to School

- 1 Stay seated on the bus at all times while the bus is in motion.
- 2 Keep the aisle clear of legs, feet and objects at all times.
- 3 The noise level is to be such that the driver can hear any noises or signals from outside the bus.
- 4 No offensive, obscene or abusive language.
- 5 No hands, arms, heads or objects are to be put out the windows. Also, no yelling out of the windows.
- 6 No eating or drinking is permitted on the buses. (Lengthy, out-of-town trips may cause exceptions to this rule.)

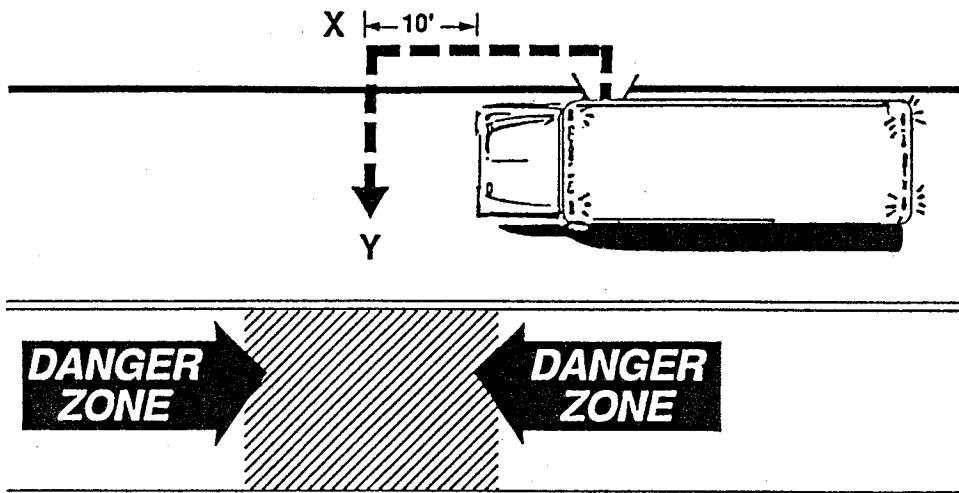
## The Oregon School Bus Stop Law

The law requires all traffic on an undivided roadway to stop when a school bus has its red lights flashing. Unfortunately, not all drivers obey the law.

## Crossing the road with the bus safety lights

For your safety, follow the directions shown here when crossing the road to go from bus to home.

- a) Exit the bus and walk to point X (10 feet in front of the bus)
- b) Look at the driver for the O.K.
- c) Walk to point Y and look both ways for traffic.
- d) Then, when it is safe, finish crossing.



# Riding the Bus Safely

Continued from other side

## Emergency Equipment

All 4J School buses are supplied with a set of emergency equipment to be used in the event of a breakdown or an accident. Those items are:

- Three red triangle reflectors to warn traffic if the bus is stopped on the roadway;
- an ABC fire extinguisher;
- at least one first aid kit.

All buses are also equipped with a two-way radio that can be used to call any other bus or the transportation base. The key must be in the 'on' position with the mike button depressed when speaking and released to listen.

If the people on board the bus are in danger during an emergency because of the location or the condition of the bus, then the bus should be evacuated.



1. Student leaders take position to assist.
2. Evacuate one seat at a time.
3. Stay seated until your turn.
4. Rear door - jump with help of student leader.
5. Move at least 100 feet away from bus.
6. Stay calm.

## EVACUATIONS

If an evacuation should be necessary, the driver will give that direction. All riders should remain calm. There is an emergency exit door at the rear of the bus in addition to the regular door at the front. To evacuate the bus as quickly as possible, both should be used with the first students out acting as leaders and assisting at both doors. Evacuation should be done one row at a time alternating left and right side, with row 1 being first out the front door and row 11 being first out the back.

After evacuating the bus, all riders should wait together at a location specified by the driver at least 100 feet from the bus.

Front and Rear Door Evacuation  
66 PASSENGER BUS  
(3 persons to a seat)

